

# \$30 Mummy (fashioned after the \$100 version at Party City)

## Supplies

Description	Place	Cost
2" 4'X8' sheet of Styrofoam (foil backed)	Home Depot	\$~9.95
5 Yards of material from local fabric shop (olive or whatever color you like)	Hancock Fabrics	6 yards X 2.00 = \$12.00
1 Bucky skull	Boneyard Bargains	\$~5.75
	Total cost	~\$28-\$30

## Tools

Description
RotoZip
Electric Hand Sander
Electric circular hand saw
Saw (any kind will work)
Hot glue gun
Zippy Cutter

The Mummy I made was about 5'8" fashioned after ME! You could make one bigger or smaller depending on your liking.

### Disclaimer

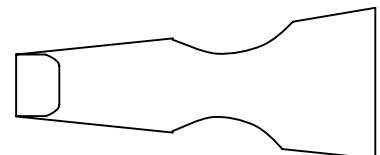
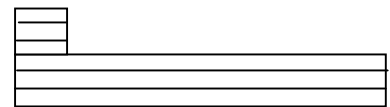
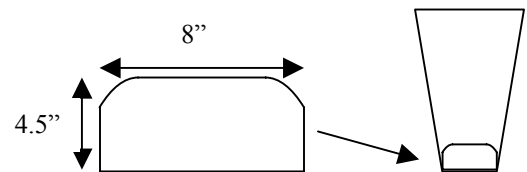
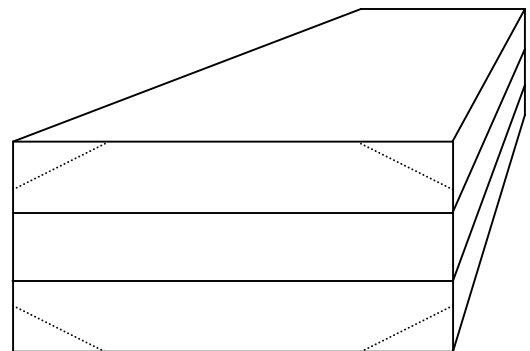
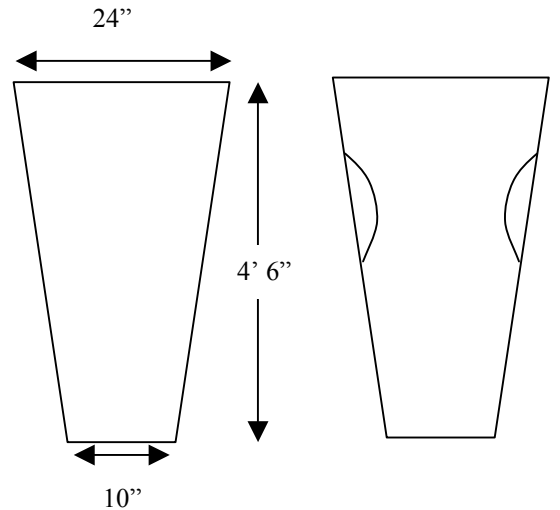
The information provided in these instructions is intended to provide general information on how to create a Mummy.

The Author does not accept any responsibility or liability whatsoever whether in contract, tort, equity or otherwise for any action taken as a result of attempting to make this prop, or reliance placed on the Author because of having read, any part, or all, of the information in these instructions or for any error, inadequacy, deficiency, flaw in or omission from the information provided in these instructions.



## Steps

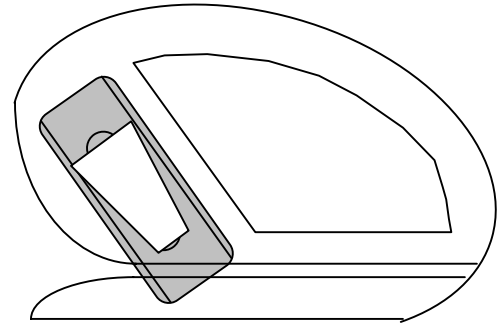
1. Draw the outline as shown as close to the edge as you can. You should be able to get three of these on a single sheet. There will be left over as well. Cut the pieces out with the electric circular saw or handsaw.
2. I stripped the foil and plastic sheeting off of the Styrofoam, but I am not sure that is necessary. Now hot-glu all the three pieces together.
3. Measure up about 33" and start to curve in some and then come out of the curve around 48". Draw the curve on the foam and cut out with the handsaw. Don't be concerned with how straight your cuts are. The electric sander or sandpaper will smooth these out quickly.
4. The next step is to add some curves to the edges of the body. Cut with the hand saw as shown by the dotted lines. This will prepare the body to be sanded. Once the sides are cut, use the electric sander to smooth and round all the surfaces. You will also want to do some rounding with the sander on and around the shoulders.
5. Now we will create the foot buildup with some more foam. Cut 3 pieces about 4.5" by 8" wide and be sure to round the top edges. Glue the three pieces together and then hot glue them to the body of the Mummy. The flat edge will be placed even with the bottom of the foot. Use the sander or a piece of sandpaper to smooth the foot piece with the body. It isn't that important as this will be covered with cloth wrapping.



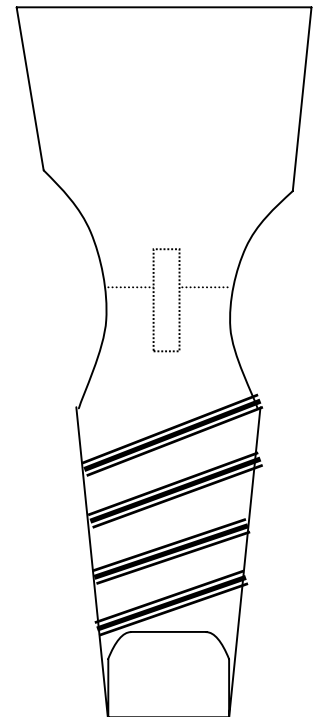
6. It is now time to cut the fabric. I used a tool called a Zippy Cutter (See Dwg.). It is mostly used to cut paper. It works wonderfully. You can zip these strips quickly. The fabric I used was about 20' long and the longer the strips the better. Use whatever you have to cut the strips. Scissors will take a long time. Do not worry if the strips are not uniform.

7. I started by hot gluing the end of a strip to the bottom of the feet. It is best to place the glue on the cloth as to much glue on the Styrofoam will tend to melt it. Use a stick or pencil to push the fabric and the Styrofoam together. Now I wrap once around the Mummy and am sure to go over the area you just glued. This holds the glue section down. Now tight wrap the Mummy in a spiral fashion. Now change direction and continue to wrap. I only wrapped about halfway up the torso. I then cut the Mummy into two for better storage later.

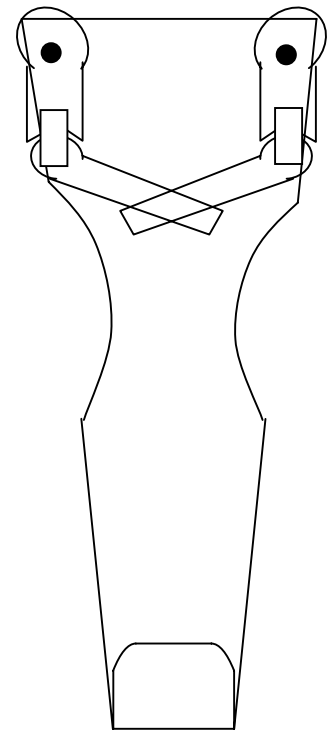
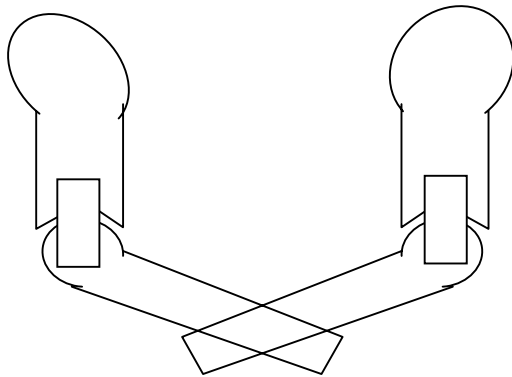
8. Now drill a hole in the center of the Mummy that will fit a piece of Schedule 40 PVC pipe. I then carefully hot-glued (in hindsight, great stuff may be better here) the pipe into the lower section of the Mummy. You need to place the hot glue on the pipe and let it cool for a moment, and then push it into the previously drilled hole. After this sets, lay the Mummy on a flat surface and see where the pipe lines up with the top section and drill that as well. No adhesive here or it will be difficult to pull apart and store. You could even use Velcro on the top and bottom pieces.



Zippy or Alvin cutter



9. Now onto the arms. I just sketched a shoulder and bicep onto the left over pieces. Then rounded them with the sander a bit. I plan on adding bone hands later. I used two pieces of the fabric and hot glue to hold the two pieces together prior to wrapping. Wrap the arms until covered. I then used a long deck screw to attach the arms to the Mummy. Now wrap a few sparse swaths over the arms, you may want to experiment with this until you get a look you like.



10. The next step is to attach the bucky skull to the top section. Since I haven't received my shipment from Boneyard yet (no fault of theirs) I am going to tell you how I plan on doing this. I will probably use the same technique as the torso. PVC pipe embedded into a hole and use great stuff to adhere it. I will probably make some kind of Styrofoam buildup on the side of the head. Then continue to wrap it up.

11. In order to make the Mummy look older. I took a can of WD-40 and sprayed the cloth; the oil makes discoloration on the cloth and adds a nice effect. I also added a few more swaths of material, but this time, I purposely crumpled the material to make it look different than the other wrapping. Just experiment

